



BOOSTER INDUCTION

la Cottura[®]

— I T A L I A N D E S I G N —



la Cottura
— I T A L I A N —

ITALIAN DESIGN: INDUCTION SPECIALISTS

- o The *laCottura* project comes from the decennial experience in the cooking appliances market of a group of managers and entrepreneurs, who gave birth to the company.
- o They had noticed time ago the potential of induction cooking and, convinced that the future will lead in this direction, decided to give birth to the new company.
- o In addition to the induction hobs of all sizes, with power limitation and semi-professional features, integrated and non-integrated air extraction, Italian Design Srl offers a range of radiant electric hobs and other built-in appliances made to specifications and to the request of the industrial customer and/or distributor.

OUR MISSION

- o Propose a range of tailor-made products to meet the needs of the customer.

OUR VALUES

- o To manufacture high quality products made with European technology and components, with superior performance and reliability guaranteed over time.
- o To exploit the ability of Italian designers to create elegant, practical and harmonious products with affordable prices.
- o To capture new innovations and trends in the market by reacting before others to develop products that anticipate the end user's requests.
- o Remember that not everything that sounds Italian is Italian - *many brand names sound Italian when in fact most of their products come from other countries*; so why have something "like Italian" when you can have the real thing? *laCottura - Pure Italian!*

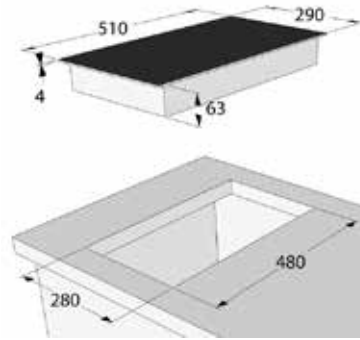
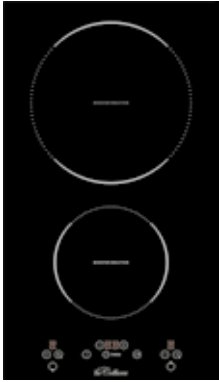


Italian Design

laCottura

European Technology

H3T28C INDUCTION HOB DOMINO 30cm

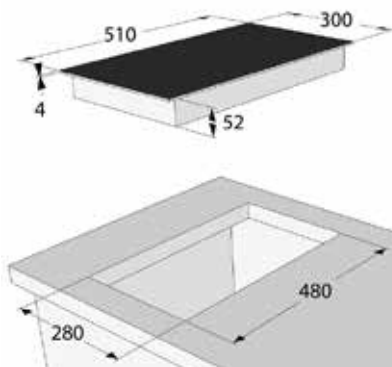


TOP DIMENSIONS	290 x 510 mm
BUILT-IN MEASURES	280 x 480 mm
NOMINAL POWER	3600 W
SUPPLY VOLTAGE	220-240 V
EAN CODE	0705632602300

- 2 induction cooking zones
- Frontal touch control
- 9 power levels + booster
- Pot detection sensor
- Timer function
- Residual heat indicator

COOKING AREAS		
	REAR	
	Ø 200mm	
	1600 [2000] W	
	FRONT	
	Ø 145mm	
	1200 [1600] W	

H3T28E INDUCTION HOB DOMINO 30cm

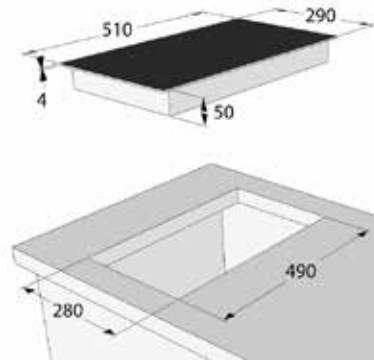
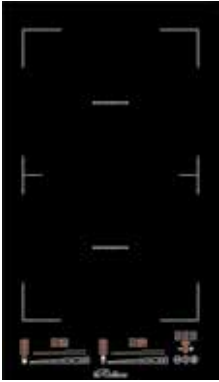


TOP DIMENSIONS	300 x 510 mm
BUILT-IN MEASURES	280 x 480 mm
NOMINAL POWER	3000 W
SUPPLY VOLTAGE	220-240 V
EAN CODE	0705632602409

- 2 induction cooking zones
- Frontal touch control
- 9 power levels + booster
- Pot detection sensor
- Timer function
- Residual heat indicator

COOKING AREAS		
	REAR	
	Ø 160mm	
	1250 [1400] W	
	FRONT	
	Ø 160mm	
	1400 [2000] W	

H3S28E INDUCTION HOB DOMINO 30cm SLIDER BRIDGE



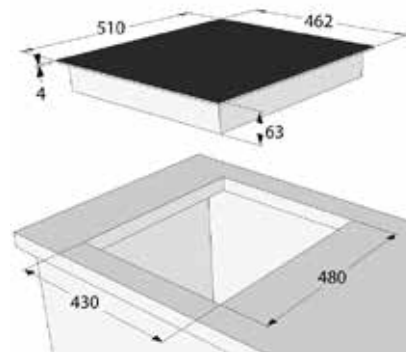
o UPON REQUEST WHITE VTC VERSION

TOP DIMENSIONS	290 x 510 mm
BUILT-IN MEASURES	280 x 490 mm
NOMINAL POWER	3700 W
SUPPLY VOLTAGE	200-240 V
EAN CODE	0705632602317

COOKING AREAS		
	REAR	
	220x180 mm	
	2300 [3700] W	
	FRONT	
	220x180 mm	
	2300 [3700] W	

- o 2 induction cooking zones
- o Frontal touch control MULTISLIDER
- o 9 power levels + booster
- o Automatic pot detection function
- o Bridge function
- o Child Lock safety
- o Independent Timer for each zone
- o Residual heat indicator
- o Cooking pause function
- o Automatic Warming
- o Assisted cooking with temperature sensor

H4T38C INDUCTION HOB 45cm



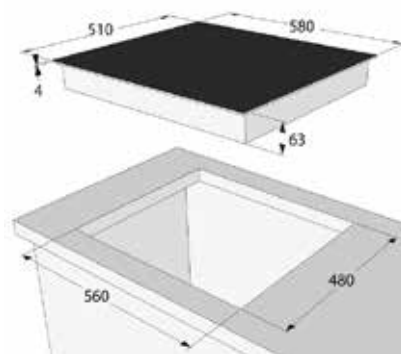
o UPON REQUEST WHITE VTC VERSION

TOP DIMENSIONS	462 x 510 mm
BUILT-IN MEASURES	430 x 480 mm
NOMINAL POWER	5200 W
SUPPLY VOLTAGE	220-240 V
EAN CODE	0705632602362

COOKING AREAS		
REAR LEFT		RIGHT
Ø 145mm		Ø 145mm
1200 [1600] W		1200 [1600] W
FRONT LEFT		
Ø 200mm		
1600 [2000] W		

- o 3 induction cooking zones
- o Frontal touch control
- o 9 power levels + booster
- o Pot detection sensor
- o Timer function
- o Child Lock safety
- o Residual heat indicator
- o Max power limitation: 2,8kW / 3,5kW

H6T38C INDUCTION HOB 60cm

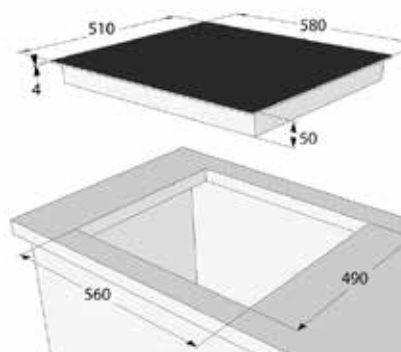
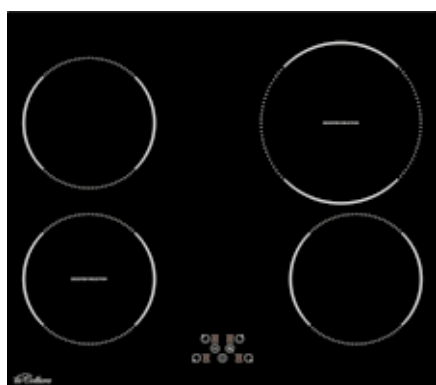


TOP DIMENSIONS	580 x 510 mm
BUILT-IN MEASURES	560 x 480 mm
NOMINAL POWER	5600 W
SUPPLY VOLTAGE	220-240 V
EAN CODE	0705632602324

COOKING AREAS		
LEFT		REAR RIGHT
Ø 200mm		Ø 200mm
1600 [2000] W		1600 [2000] W
		FRONT RIGHT
		Ø 145mm
		1200 [1600] W

- 3 induction cooking zones
- Frontal touch control
- 9 power levels + booster
- Pot detection sensor
- Child Lock safety
- Timer function
- Residual heat indicator
- Max power limitation: 1,0kW / 1,6kW / 2,8kW / 3,5kW

H6T48E INDUCTION HOB 60cm



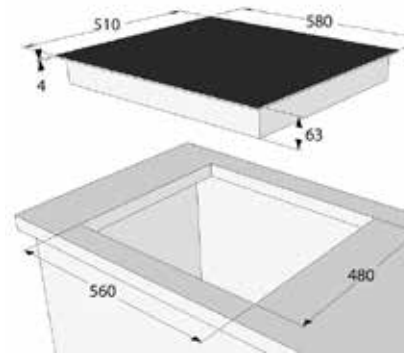
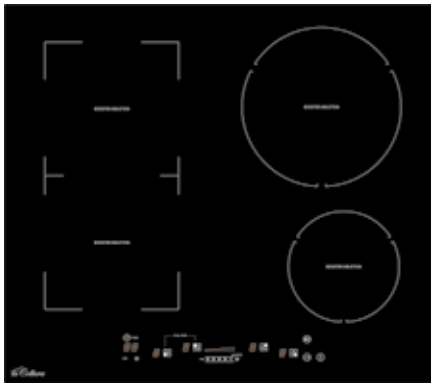
TOP DIMENSIONS	580 x 510 mm
BUILT-IN MEASURES	560 x 490 mm
NOMINAL POWER	6750 W
SUPPLY VOLTAGE	200-240 V
EAN CODE	0705632602331

COOKING AREAS		
REAR LEFT		REAR RIGHT
Ø 160mm		Ø 200mm
1400 W		1850 [2100] W
FRONT LEFT		FRONT RIGHT
Ø 160mm		Ø 160mm
1400 [1850] W		1400 W

- 4 induction cooking zones
- Frontal touch control
- 9 power levels + booster on 2 areas
- Pot detection sensor
- Timer function
- Child Lock safety
- Residual heat indicator
- Max power limitation: 2,8kW / 3,5kW

H6S48C

INDUCTION HOB 60cm BRIDGE SLIDER



o UPON REQUEST WHITE VTC VERSION

TOP DIMENSIONS 580 x 510 mm

BUILT-IN MEASURES 560 x 480 mm

NOMINAL POWER 6800W

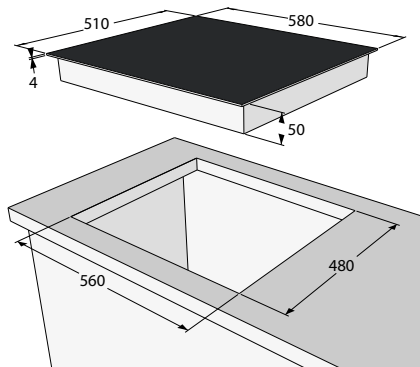
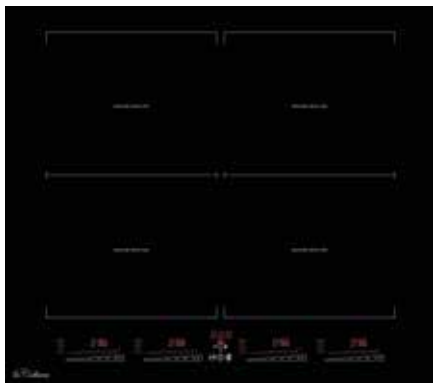
SUPPLY VOLTAGE 220-240 V

EAN CODE 0705632602348

COOKING AREAS	
REAR LEFT Ø 145mm 1200 [1600] W	REAR RIGHT Ø 200mm 1600 [2000] W
FRONT LEFT Ø 145mm 1200 [1600] W	FRONT RIGHT Ø 145mm 1200 [1600] W

- o 4 induction cooking zones
- o Frontal touch control SLIDER
- o 9 power levels + booster
- o Pot detection sensor
- o Child Lock safety
- o Timer function
- o Residual heat indicator
- o Cooking pause function
- o Bridge function
- o Max power limitation: 2,8kW/3,5kW/6 kW

HF6S48E INDUCTION HOB 60cm "FLEXI"



TOP DIMENSIONS 580 x 510 mm

BUILT-IN MEASURES 560 x 480 mm

NOMINAL POWER 7400W

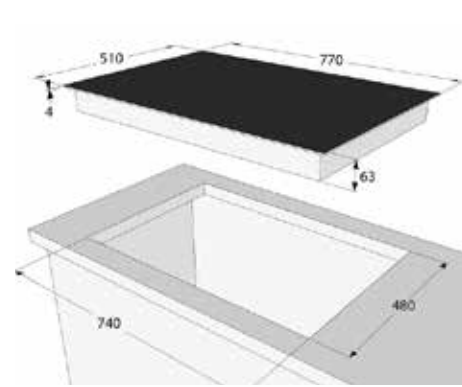
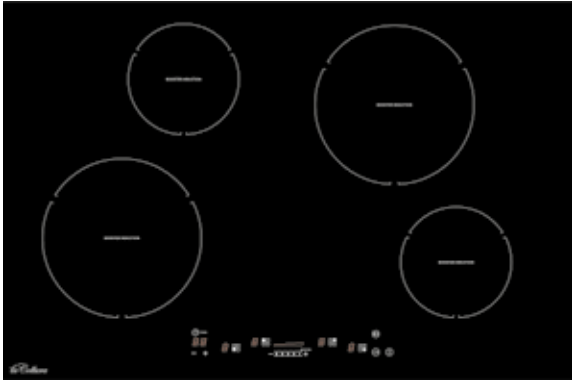
SUPPLY VOLTAGE 200-240 V

EAN CODE 0705632602331

COOKING AREAS	
FRONT LEFT 220x180 mm 2100 [3700] W	FRONT RIGHT 220x180 mm 2100 [3700] W
REAR LEFT 220x180 mm 2100 [3700] W	REAR RIGHT 220x180 mm 2100 [3700] W

- o 4 induction FLEXI cooking zones
- o Frontal touch control MULTISLIDER
- o 9 power levels + booster
- o Automatic pot detection function
- o Double bridge FLEXI zones
- o Child Lock safety
- o Independent Timer for each zone
- o Residual heat indicator
- o Cooking pause function
- o Automatic Warming
- o Assisted cooking with temperature sensor

H7S48C INDUCTION HOB 77cm SLIDER



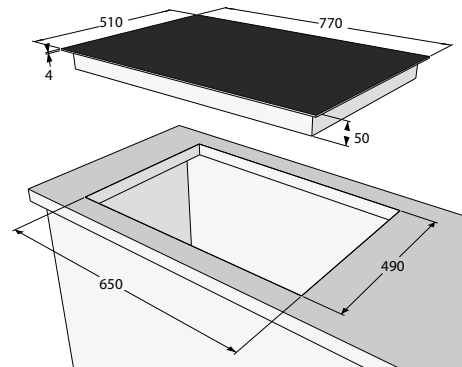
o UPON REQUEST WHITE VTC VERSION

TOP DIMENSIONS	770 x 510 mm
BUILT-IN MEASURES	740 x 480 mm
NOMINAL POWER	7200 W
SUPPLY VOLTAGE	220-240 V
EAN CODE	0705632602355

COOKING AREAS	
REAR LEFT	REAR RIGHT
o Ø 145mm 1200 [1600] W	o Ø 200mm 1600 [2000] W
FRONT LEFT	FRONT RIGHT
o Ø 200mm 1600 [2000] W	o Ø 145mm 1200 [1600] W

- o 4 induction cooking zones
- o Frontal touch control SLIDER
- o 9 power levels + booster
- o Pot detection sensor
- o Child Lock safety
- o Timer function
- o Residual heat indicator
- o Cooking pause function
- o Max power limitation: 2,8kW/3,5kW/6 kW
- o Maximum power limitation: 2,8kW / 3,5kW

H7S48E INDUCTION HOB 77cm SLIDER



TOP DIMENSIONS	770 x 510 mm
BUILT-IN MEASURES	650 x 490 mm
NOMINAL POWER	7400 W
SUPPLY VOLTAGE	200-240 V
EAN CODE	0705632602379

COOKING AREAS	
REAR LEFT	REAR RIGHT
Ø 210mm 2300 [3700] W	Ø 210mm 2300 [3700] W
FRONT LEFT	FRONT RIGHT
Ø 210mm 2300 [3700] W	Ø 210mm 2300 [3700] W

- o 4 induction cooking zones
- o Frontal touch control SLIDER with white led
- o 9 power levels + booster
- o Pot detection sensor
- o Independent Timer for each zone
- o Residual heat indicator
- o Cooking pause function
- o Assisted cooking with temperature sensor



A new induction hob with integrated cooker hood.

Easy, safe, effective, with 4-burner and 9 power levels + booster.

Timer, pot presence recognition system, lock of controls for child safety, temperature indicator of hot surface and auto shutdown are some of the functions of this evolved product.

Extraction at the sides of the hob through two slits to capture fumes, vapours and odours.

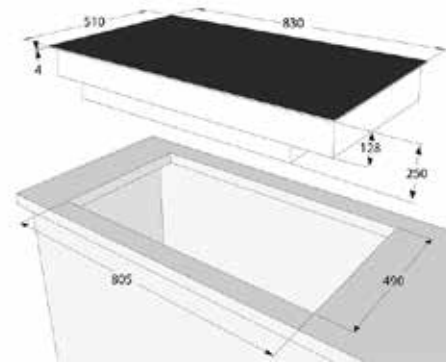
Six levels of motor speed with the possibility of a timer.

The system arrives at nearly 700 m³/h of air with a flow velocity of 8.5 m/s, the highest available.

With a patented mechanism the glass top is lifted completely for an easy and immediate cleaning of the entire hood from the food parts or liquids that may fall.

Without having to dismantle or remove anything you can clean with the utmost simplicity and speed.

HW8S48C INDUCTION HOB 83cm WITH INTEGRATED HOOD

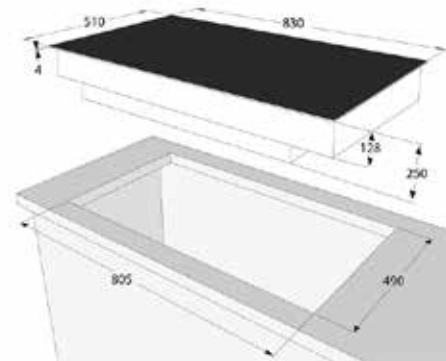
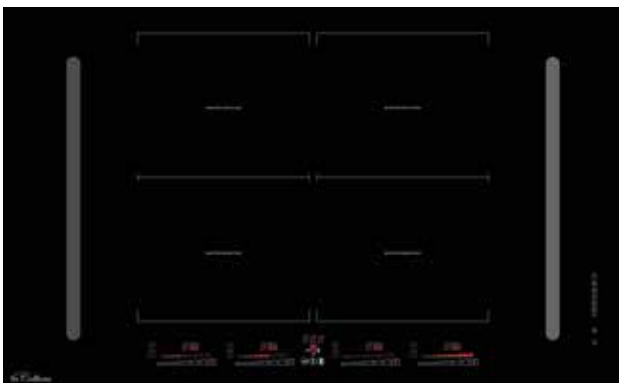


TOP DIMENSIONS	830 x 510 mm
BUILT-IN MEASURES	805 x 490 mm
NOMINAL POWER	6800W
SUPPLY VOLTAGE	220-240 V
EAN CODE	0705632602393

COOKING AREAS		
REAR LEFT		REAR RIGHT
o Ø 145mm 1200 [1600] W		o Ø 200mm 1600 [2000] W
FRONT LEFT		FRONT RIGHT
o Ø 145mm 1200 [1600] W		o Ø 145mm 1200 [1600] W

- o 4 induction cooking zones
- o Frontal touch control SLIDER
- o 9 power levels + booster
- o Pot detection sensor
- o Child Lock safety
- o Timer function
- o Residual heat indicator
- o Cooking pause function
- o Bridge function
- o Max power limitation: 2,8kW/3,5kW/6 kW

HWF8S48E INDUCTION HOB 83cm WITH INTEGRATED HOOD - FLEXI VERSION

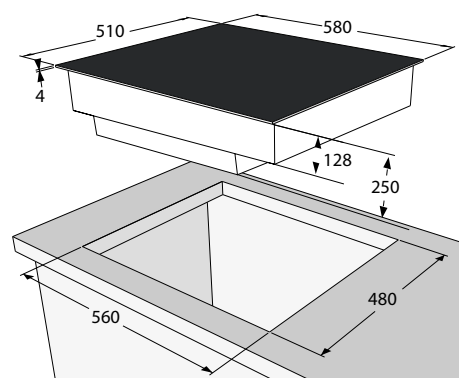


TOP DIMENSIONS	830 x 510 mm
BUILT-IN MEASURES	805 x 490 mm
NOMINAL POWER	7400W
SUPPLY VOLTAGE	200-240 V
EAN CODE	0705632602393

COOKING AREAS		
REAR LEFT		REAR RIGHT
220x180 mm 2100 [3700] W		220x180 mm 2100 [3700] W
FRONT LEFT		FRONT RIGHT
220x180 mm 2100 [3700] W		220x180 mm 2100 [3700] W

- o 4 induction FLEXI cooking zones
- o Frontal touch control MULTISLIDER
- o 9 power levels + booster
- o Automatic pot detection function
- o Double bridge FLEXI zones
- o Child Lock safety
- o Independent Timer for each zone
- o Residual heat indicator
- o Cooking pause function
- o Automatic Warming
- o Assisted cooking with temperature sensor

HW6T48C INDUCTION HOB 60cm WITH INTEGRATED HOOD



TOP DIMENSIONS	580 x 510 mm
BUILT-IN MEASURES	560 x 480 mm
NOMINAL POWER	7200W
SUPPLY VOLTAGE	220-240 V
EAN CODE	0705632602398

COOKING AREAS

REAR LEFT	REAR RIGHT
Ø 200mm, 1600 [2000] W	Ø 200mm, 1600 [2000] W
FRONT LEFT	FRONT RIGHT
Ø 145mm, 1200 [1600] W	Ø 145mm, 1200 [1600] W

- **4 induction cooking zones**
- **Frontal touch control**
- **Independent controls for left and right zones**
- **9 power levels + booster**
- **Pot detection sensor**
- **Timer function**
- **Residual heat indicator**

	HW8S48C	HWF8S48E	HW6T48C
HOOD FUNCTIONS	○ 6 speeds with boost, timer, automatic cut off	○ 6 speeds with boost, timer, automatic cut off	○ 6 speeds with boost, timer, automatic cut off
ASPIRATION	○ LATERAL: on both sides with double loophole	○ LATERAL: on both sides with double loophole	○ CENTRAL with black grid.
AIR OUTFLOW	○ 220x90 mm with fittings	○ 220x90 mm with fittings	○ 220x90 mm with fittings
MATERIALS	○ Stainless Steel 18/8 (Aisi 304) structure	○ Rough Black structure	○ Rough Black structure
OPTIONS	○ Duction or filtered with washable filters.	○ Duction or filtered with washable filters.	○ Duction or filtered with washable filters.
HOOD ENERGETIC CLASS	○ A	○ A	○ A
3° SPEED NOISE	○ 65 dB	○ 65 dB	○ 65 dB
MOTOR EFFICIENCY	○ A	○ A	○ A
MOTOR CAPACITY	○ 700 m3/h	○ 700 m3/h	○ 700 m3/h



- Hob and hood can be installed in a reduced space of only 25 cm in height
- The hood with its compact motor can be connected to outside with an exhaust air duct, in extraction mode, or be used with a long-lasting odour filter module, in the air recirculation mode.
- The glass cooktop is equipped with hinges and 2 double-pistons to open the fan cavity. They keep the cooktop up until it is lowered, in a fluid manner, without the risk of falling.
- The ease of access and cleaning is ensured.

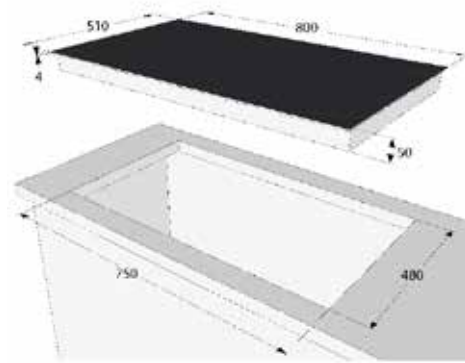
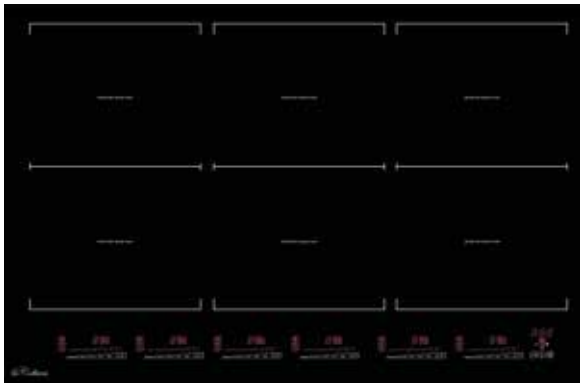


Ducted air extraction mode



Air recirculation mode with washable filter

HF8S68E INDUCTION HOB 80cm "FLEXI"

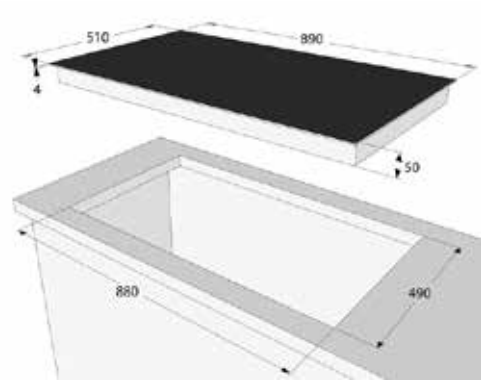
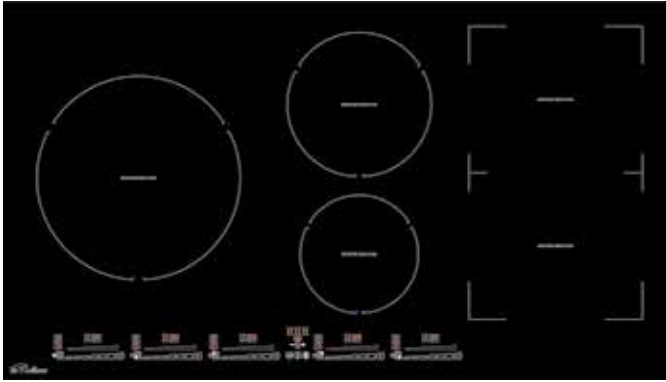


TOP DIMENSIONS	800 x 510 mm
BUILT-IN MEASURES	750 x 480 mm
NOMINAL POWER	11000W
SUPPLY VOLTAGE	200-240 V
EAN CODE	0705632602423

COOKING AREAS		
REAR LEFT	REAR CENTER	REAR RIGHT
220x180 mm	220x180 mm	220x180 mm
2300 [3700] W	2300 [3700] W	2300 [3700] W
FRONT LEFT	FRONT CENTER	FRONT RIGHT
220x180 mm	220x180 mm	220x180 mm
2300 [3700] W	2300 [3700] W	2300 [3700] W

- **6 induction FLEXI cooking zones**
- **Frontal touch control MULTISLIDER**
- **9 power levels + booster**
- **Automatic pot detection function**
- **Triple bridge FLEXI zones**
- **Child Lock safety**
- **Independent Timer for each zone**
- **Residual heat indicator**
- **Cooking pause function**
- **Automatic Heating**
- **Assisted cooking with temperature sensor**

H9S58E INDUCTION HOB 90cm BRIDGE SLIDER



○ UPON REQUEST WHITE VTC VERSION

TOP DIMENSIONS 890 x 510 mm

BUILT-IN MEASURES 880 x 490 mm

NOMINAL POWER 11000 W

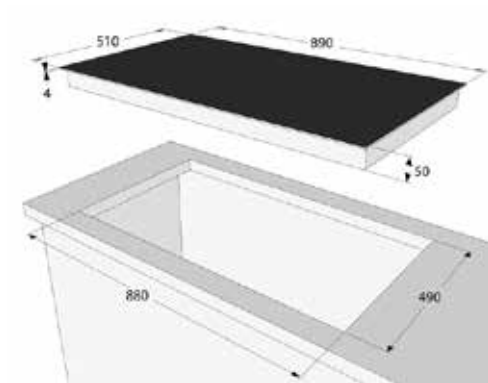
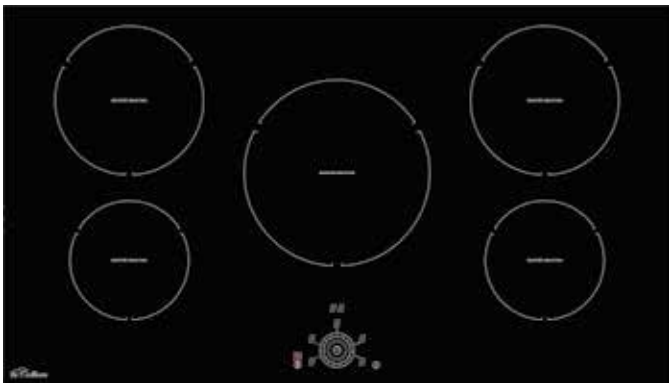
SUPPLY VOLTAGE 200-240 V

EAN CODE 0705632602386

COOKING AREAS		
LEFT	REAR CENTER	REAR RIGHT
Ø 260mm 2600 [3700] W	Ø 180mm 1850 [3000] W	220x180 mm 2300 [3700] W
	FRONT CENTER	FRONT RIGHT
	Ø 145mm 1400 [2200] W	220x180 mm 2300 [3700] W

- 5 induction cooking zones
- Frontal touch control MULTISLIDER
- 9 power levels + booster
- Bridge function
- Child Lock safety
- Independent Timer for each zone
- Residual heat indicator
- Cooking pause function
- Automatic Heating
- Assisted cooking with temperature sensor

H9R58E INDUCTION HOB 90cm "ROUND"



TOP DIMENSIONS	890 x 510 mm
BUILT-IN MEASURES	880 x 480 mm
NOMINAL POWER	7400 W
SUPPLY VOLTAGE	220-240 V
EAN CODE	0705632602331

COOKING AREAS		
REAR LEFT	CENTER	REAR RIGHT
Ø 200mm	Ø 250mm	Ø 200mm
2300 [3000] W	2300 [3000] W	2300 [3000] W
FRONT LEFT		FRONT RIGHT
Ø 160mm		Ø 160mm
1250 [1400] W		1250 [1400] W

- **4 induction cooking zones**
- **Frontal touch control ROUND**
- **9 power levels + booster**
- **Child Lock safety**
- **Independent Timer for each zone**
- **Residual heat indicator**
- **Cooking pause function**

- AFTER-SALES and WARRANTY
- *LaCottura* products are covered with EU 2-year warranty.

- AFTER-SALES CENTERS

ITALY / FRANCE (Italian border areas)

S.E.R. SRL

Via Livrasco, 52

26100 / Migliaro / Cremona / Italy

+39 0372 1786201

+39 0372 30478

+ 39 0372 1931341

assistenza@sersrlonline.com

servizioclienti@sersrlonline.com

www.sersrlweb.com

UNITED ARAB EMIRATES

ROMA KITCHEN AL AIN

Al Ain Industrial Area

PO Box 14056 / United Arab Emirates

+971 03 7631516

COLOMBIA

MEDITERRANEAN MARBLE CO. S.A.S.

CALLE 164 NO 17-42 (TOBERÍN)

110131 / Bogotá / Colombia

+57 16749893

SPAIN

LOGMAN ELECTRONICA

Av. Zarandona, 76 A

30007 / Zarandona / Murcia / Spain

+34 902 00 76 99

www.logman.es

NEDERLANDS

DENARDI B.V.

Bijdorpe Oost, 16

2992 LA / Barendrecht / Nederlands

+31 085 488 4773

www.denardi.nl

ROMANIA

SMART FIX S.R.L.

Str. Cumpenei, 10/A

900147 / Constanta / Romania

+40 0758 10 00 99

SUOMEN JÄLLEENMYYJÄ:

designkodinkoneet.fi

+358 40 024 3772



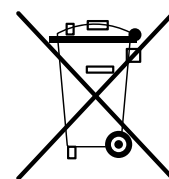
PRODUCT USUALLY IN STOCK (except in special circumstances)



ITALIAN DESIGN SRL is a member of ECODOM CONSORTIUM, the largest Italian Household Appliance Recovery and Recycling Consortium.

- All products from *LaCottura* comply with CE and EMC standards

ITALIAN DESIGN S.R.L. may change product specifications and/or aesthetics for safety or product improvement reasons. Pictures in this catalogue, so, are only indicative.





La Cottura[®]
— ITALIAN DESIGN —

o ITALIAN DESIGN SRL / HOME APPLIANCES
Via Antonio Bellucci 14 / 31010 / Farra di Soligo / Treviso / Italy
+39 0438 1672951 / info@lacottura.it / www.lacottura.it